


INSTALLATION INSTRUCTIONS

WARNING: RISK OF FIRE AND ELECTRICAL SHOCK. FIXTURE MUST BE INSTALLED BY A QUALIFIED ELECTRICIAN ONLY IN ACCORDANCE WITH NATIONAL, LOCAL BUILDING AND ELECTRICAL CODES. DISCONNECT POWER AT ELECTRICAL PANEL BEFORE SERVICING.



⚠ PLEASE READ ALL INSTRUCTIONS BEFORE ATTEMPTING INSTALLATION

- Installation must be performed by a licensed electrician to avoid personal injury or product damage.
- Always disconnect power before installation or servicing to prevent electric shock or component damage.
- This product must be installed in accordance with the National Electrical Code (NEC) and all applicable federal, state, and local codes and safety standards.
- Allow the fixture to cool completely before servicing.
- Do not alter or modify this product in any way, as doing so may result in serious injury, death, property damage, or product malfunction.
- Proper grounding is required to prevent electrical shock or product failure.
- Do not exceed the recommended range of adjustment.
Suitable for operation in ambient temperatures from -40°C to 45°C.
- Must be installed by individuals familiar with the construction, operation, and associated hazards of the product.
- Use with 75°C rated supply conductors only.
- Suitable for mounting within 1.2 meters (4 feet) of the ground.
- Not suitable for installation in environments with corrosive gases, liquids, or high-pressure water vapor.

Alcon Lighting 11411 Outdoor LED Flood Light



Knuckle Mount

15W/27W/45W/60W



Trunnion Mount

15W/27W/45W/60W/250W/350W



Yoke Mount

70W/100W/135W/200W



Slip Fitter

70W/100W/135W/200W

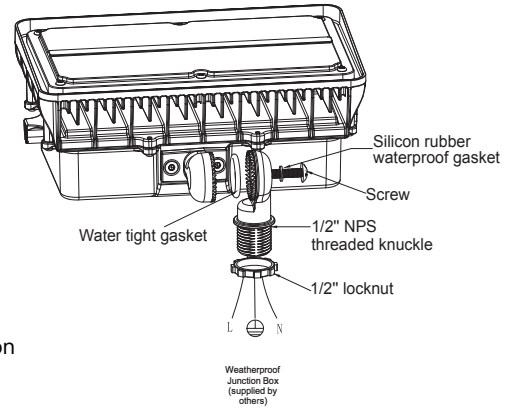


KNUCKLE MOUNT

Optional ground stake mount pole top fitter mount

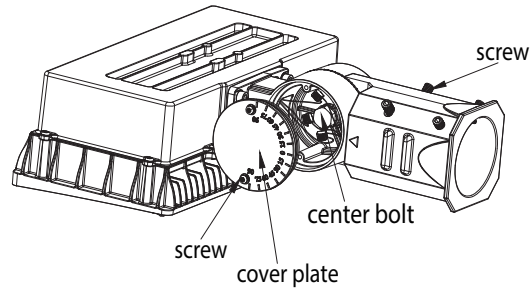
1. Mount the fixture using the knuckle bracket on a weatherproof junction box (supplied by others), and secure it with a 1/2" locknut.
2. Connect the supply leads (L/N/GND) to the fixture leads (L/N/GND), ensuring compliance with the National Electrical Code (NEC) and all applicable local codes and ordinances.
3. Adjust the fixture angle by loosening the screw on the knuckle, setting the desired tilt, and re-tightening the screw to secure the position.
4. Ensure that no water enters the fixture through the 1/2" fitter during the electrical connection process. Installation and servicing of the luminaire must be performed by a qualified, licensed electrician.

⚠ CAUTION: Apply weatherproof silicone sealant to the 1/2" NPS threaded connection during installation to ensure a watertight seal—this is especially important for maintaining fixture integrity.



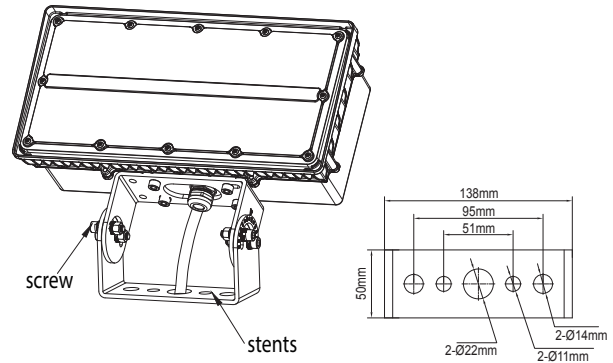
SLIPFITTER MOUNT

1. Connect the wires to L / N / GND
2. Remove the cover and adjust the bracket to the desired angle
3. Install the bracket on the pole and fix it with screws



YOKE MOUNT

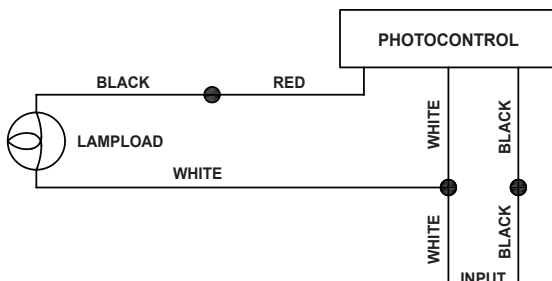
1. Secure the fixture to the mounting surface using the hole pattern on the bracket.
2. Loosen the center bolts and set screw.
3. Rotate the fixture to the desired aiming position.
4. Tighten the center bolts, then secure the set screw.
5. Complete electrical connections as shown in the wiring diagram.



PHOTOCELL INSTALLATION

Universal voltage driver permits operation at 120V to 277VAC, 60 Hz except fixtures factory ordered with a 120V photocell (P1) or 277V photocell (P2) or 120-277V photocell (PO).

1. Install photocell and wire as per diagram.
2. Use photocell rated for your supply voltage.

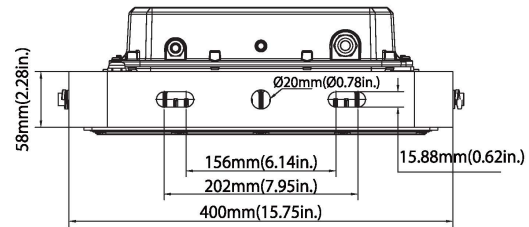
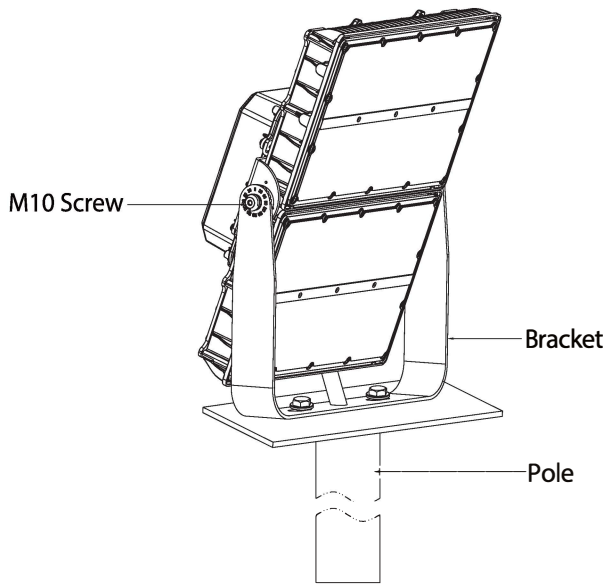
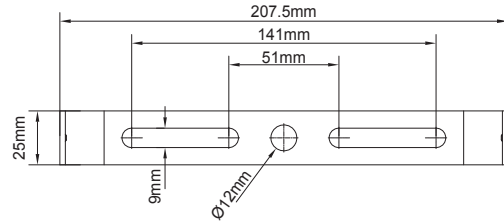
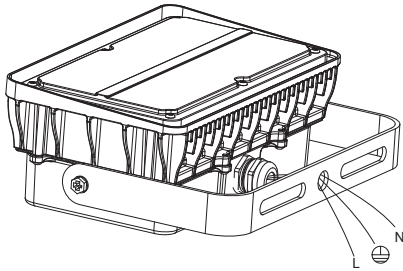


TROUBLESHOOTING

1. Verify that the line voltage at the fixture matches the specified rating. Refer to the wiring instructions.
2. Confirm that the fixture is properly grounded.
3. If a photocell is used, ensure it is installed and operating correctly.

TRUNNION MOUNT

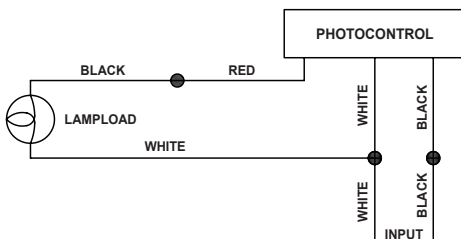
1. Mount the fixture to the surface using the hole pattern on the trunnion bracket.
2. Connect the supply leads (L/N/GND) to the corresponding fixture leads, following the National Electrical Code (NEC) and all applicable local codes and regulations.
3. Adjust the fixture to the desired angle by loosening the knuckle screw, aiming the light, and tightening the screw to secure the position.
4. Ensure no water enters through the 1/2" fitter during electrical connections—use appropriate sealing measures.
5. Installation and servicing must be performed by a qualified, licensed electrician.



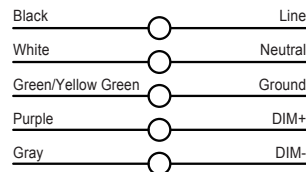
PHOTOCELL INSTALLATION

Universal voltage driver permits operation at 120V to 277VAC, 60 Hz except fixtures factory ordered with a 120V photocell (P1) or 277V photocell (P2) or 120-277V photocell(PO).

1. Install photocell and wire as per diagram.
2. Use photocell rated for your supply voltage.



Wire Connection



TROUBLESHOOTING

1. Verify that the line voltage at the fixture matches the specified rating. Refer to the wiring instructions.
2. Confirm that the fixture is properly grounded.
3. If a photocell is used, ensure it is installed and operating correctly.